

# SN54HC373, SN74HC373 OCTAL TRANSPARENT D-TYPE LATCHES WITH 3-STATE OUTPUTS

SCLS140B – DECEMBER 1982 – REVISED MAY 1997

- Eight High-Current Latches in a Single Package
- High-Current 3-State True Outputs Can Drive up to 15 LSTTL Loads
- Full Parallel Access for Loading
- Package Options Include Plastic Small-Outline (DW), Shrink Small-Outline (DB), Thin Shrink Small-Outline (PW), and Ceramic Flat (W) Packages, Ceramic Chip Carriers (FK), and Standard Plastic (N) and Ceramic (J) 300-mil DIPs

## description

These 8-bit latches feature 3-state outputs designed specifically for driving highly capacitive or relatively low-impedance loads. They are particularly suitable for implementing buffer registers, I/O ports, bidirectional bus drivers, and working registers.

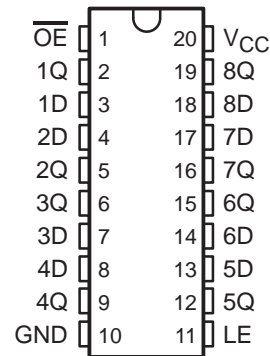
The eight latches of the 'HC373 are transparent D-type latches. While the latch-enable (LE) input is high, the Q outputs follow the data (D) inputs. When LE is taken low, the Q outputs are latched at the levels that were set up at the D inputs.

An output-enable ( $\overline{OE}$ ) input places the eight outputs in either a normal logic state (high or low logic levels) or the high-impedance state. In the high-impedance state, the outputs neither load nor drive the bus lines significantly. The high-impedance state and increased drive provide the capability to drive bus lines without interface or pullup components.

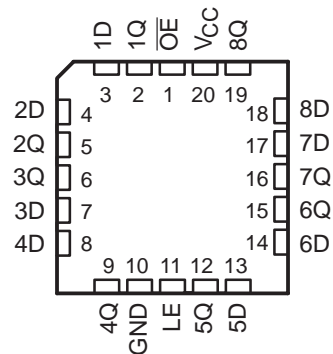
$\overline{OE}$  does not affect the internal operations of the latches. Old data can be retained or new data can be entered while the outputs are off.

The SN54HC373 is characterized for operation over the full military temperature range of  $-55^{\circ}\text{C}$  to  $125^{\circ}\text{C}$ . The SN74HC373 is characterized for operation from  $-40^{\circ}\text{C}$  to  $85^{\circ}\text{C}$ .

SN54HC373 . . . J OR W PACKAGE  
SN74HC373 . . . DB, DW, N, OR PW PACKAGE  
(TOP VIEW)



SN54HC373 . . . FK PACKAGE  
(TOP VIEW)



Please be aware that an important notice concerning availability, standard warranty, and use in critical applications of Texas Instruments semiconductor products and disclaimers thereto appears at the end of this data sheet.

PRODUCTION DATA information is current as of publication date. Products conform to specifications per the terms of Texas Instruments standard warranty. Production processing does not necessarily include testing of all parameters.

**TEXAS  
INSTRUMENTS**

POST OFFICE BOX 655303 • DALLAS, TEXAS 75265

Copyright © 1997, Texas Instruments Incorporated

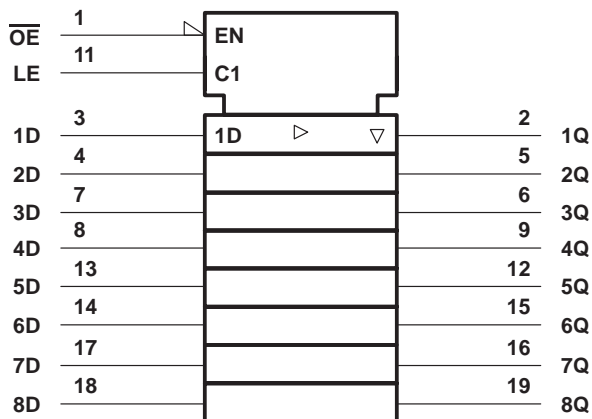
# SN54HC373, SN74HC373 OCTAL TRANSPARENT D-TYPE LATCHES WITH 3-STATE OUTPUTS

SCLS140B – DECEMBER 1982 – REVISED MAY 1997

FUNCTION TABLE  
(each latch)

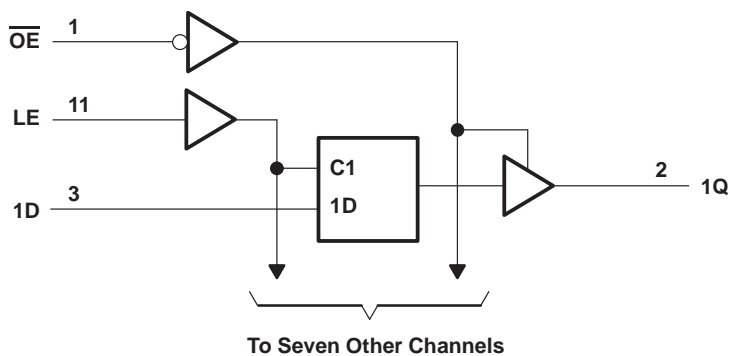
| INPUTS          |    |   | OUTPUT |
|-----------------|----|---|--------|
| $\overline{OE}$ | LE | D | Q      |
| L               | H  | H | H      |
| L               | H  | L | L      |
| L               | L  | X | $Q_0$  |
| H               | X  | X | Z      |

## logic symbol†



† This symbol is in accordance with ANSI/IEEE Std 91-1984 and IEC Publication 617-12.

## logic diagram (positive logic)



# SN54HC373, SN74HC373 OCTAL TRANSPARENT D-TYPE LATCHES WITH 3-STATE OUTPUTS

SCLS140B – DECEMBER 1982 – REVISED MAY 1997

## absolute maximum ratings over operating free-air temperature range†

|   |                |
|---|----------------|
| Supply voltage range, $V_{CC}$ .....  | –0.5 V to 7 V  |
| Input clamp current, $I_{IK}$ ( $V_I < 0$ or $V_I > V_{CC}$ ) (see Note 1) .....  | ±20 mA         |
| Output clamp current, $I_{OK}$ ( $V_O < 0$ or $V_O > V_{CC}$ ) (see Note 1) ..... | ±20 mA         |
| Continuous output current, $I_O$ ( $V_O = 0$ to $V_{CC}$ ) .....                  | ±35 mA         |
| Continuous current through $V_{CC}$ or GND .....                                  | ±70 mA         |
| Package thermal impedance, $\theta_{JA}$ (see Note 2): DB package .....           | 115°C/W        |
| DW package .....  | 97°C/W         |
| N package .....   | 67°C/W         |
| PW package .....  | 128°C/W        |
| Storage temperature range, $T_{stg}$ .....  | –65°C to 150°C |

† Stresses beyond those listed under “absolute maximum ratings” may cause permanent damage to the device. These are stress ratings only, and functional operation of the device at these or any other conditions beyond those indicated under “recommended operating conditions” is not implied. Exposure to absolute-maximum-rated conditions for extended periods may affect device reliability.

- NOTES: 1. The input and output voltage ratings may be exceeded if the input and output current ratings are observed.  
 2. The package thermal impedance is calculated in accordance with JESD 51, except for through-hole packages, which use a trace length of zero.

## recommended operating conditions

|          |                                       | SN54HC373               |          |      | SN74HC373               |                         |      | UNIT |
|----------|---------------------------------------|-------------------------|----------|------|-------------------------|-------------------------|------|------|
|          |                                       | MIN                     | NOM      | MAX  | MIN                     | NOM                     | MAX  |      |
| $V_{CC}$ | Supply voltage                        | 2                       | 5        | 6    | 2                       | 5                       | 6    | V    |
| $V_{IH}$ | High-level input voltage              | $V_{CC} = 2\text{ V}$   |          | 1.5  | $V_{CC} = 2\text{ V}$   |                         | 1.5  | V    |
|          |                                       | $V_{CC} = 4.5\text{ V}$ |          | 3.15 | $V_{CC} = 4.5\text{ V}$ |                         | 3.15 |      |
|          |                                       | $V_{CC} = 6\text{ V}$   |          | 4.2  | $V_{CC} = 6\text{ V}$   |                         | 4.2  |      |
| $V_{IL}$ | Low-level input voltage               | $V_{CC} = 2\text{ V}$   |          | 0    | 0.5                     | $V_{CC} = 2\text{ V}$   |      | V    |
|          |                                       | $V_{CC} = 4.5\text{ V}$ |          | 0    | 1.35                    | $V_{CC} = 4.5\text{ V}$ |      |      |
|          |                                       | $V_{CC} = 6\text{ V}$   |          | 0    | 1.8                     | $V_{CC} = 6\text{ V}$   |      |      |
| $V_I$    | Input voltage                         | 0                       | $V_{CC}$ |      | 0                       | $V_{CC}$                |      | V    |
| $V_O$    | Output voltage                        | 0                       | $V_{CC}$ |      | 0                       | $V_{CC}$                |      | V    |
| $t_t$    | Input transition (rise and fall) time | $V_{CC} = 2\text{ V}$   |          | 0    | 1000                    | $V_{CC} = 2\text{ V}$   |      | ns   |
|          |                                       | $V_{CC} = 4.5\text{ V}$ |          | 0    | 500                     | $V_{CC} = 4.5\text{ V}$ |      |      |
|          |                                       | $V_{CC} = 6\text{ V}$   |          | 0    | 400                     | $V_{CC} = 6\text{ V}$   |      |      |
| $T_A$    | Operating free-air temperature        | –55                     | 125      |      | –40                     | 85                      |      | °C   |



**SN54HC373, SN74HC373**  
**OCTAL TRANSPARENT D-TYPE LATCHES**  
**WITH 3-STATE OUTPUTS**

SCLS140B – DECEMBER 1982 – REVISED MAY 1997

**electrical characteristics over recommended operating free-air temperature range (unless otherwise noted)**

| PARAMETER       | TEST CONDITIONS   |                           | V <sub>CC</sub> | T <sub>A</sub> = 25°C |       |      | SN54HC373 |       | SN74HC373 |       | UNIT |    |
|-----------------|---|---------------------------|-----------------|-----------------------|-------|------|-----------|-------|-----------|-------|------|----|
|                 |   |                           |                 | MIN                   | TYP   | MAX  | MIN       | MAX   | MIN       | MAX   |      |    |
| V <sub>OH</sub> | V <sub>I</sub> = V <sub>IH</sub> or V <sub>IL</sub>       | I <sub>OH</sub> = -20 μA  | 2 V             | 1.9                   | 1.998 |      | 1.9       |       | 1.9       | V     |      |    |
|                 |   |                           | 4.5 V           | 4.4                   | 4.499 |      | 4.4       |       | 4.4       |       |      |    |
|                 |   |                           | 6 V             | 5.9                   | 5.999 |      | 5.9       |       | 5.9       |       |      |    |
|                 |   | I <sub>OH</sub> = -6 mA   | 4.5 V           | 3.98                  | 4.3   |      | 3.7       |       | 3.84      |       |      |    |
|                 |   | I <sub>OH</sub> = -7.8 mA | 6 V             | 5.48                  | 5.8   |      | 5.2       |       | 5.34      |       |      |    |
| V <sub>OL</sub> | V <sub>I</sub> = V <sub>IH</sub> or V <sub>IL</sub>       | I <sub>OL</sub> = 20 μA   | 2 V             |                       | 0.002 | 0.1  |           | 0.1   |           | 0.1   | V    |    |
|                 |   |                           | 4.5 V           |                       | 0.001 | 0.1  |           | 0.1   |           | 0.1   |      |    |
|                 |   |                           | 6 V             |                       | 0.001 | 0.1  |           | 0.1   |           | 0.1   |      |    |
|                 |   | I <sub>OL</sub> = 6 mA    | 4.5 V           |                       | 0.17  | 0.26 |           | 0.4   |           | 0.33  |      |    |
|                 |   | I <sub>OL</sub> = 7.8 mA  | 6 V             |                       | 0.15  | 0.26 |           | 0.4   |           | 0.33  |      |    |
| I <sub>I</sub>  | V <sub>I</sub> = V <sub>CC</sub> or 0                     |                           | 6 V             |                       | ±0.1  | ±100 |           | ±1000 |           | ±1000 | nA   |    |
| I <sub>OZ</sub> | V <sub>O</sub> = V <sub>CC</sub> or 0                     |                           | 6 V             |                       | ±0.01 | ±0.5 |           | ±10   |           | ±5    | μA   |    |
| I <sub>CC</sub> | V <sub>I</sub> = V <sub>CC</sub> or 0, I <sub>O</sub> = 0 |                           | 6 V             |                       |       |      | 8         |       | 160       |       | 80   | μA |
| C <sub>i</sub>  |   |                           | 2 V to 6 V      |                       |       | 3    | 10        |       | 10        |       | 10   | pF |

**timing requirements over recommended operating free-air temperature range (unless otherwise noted)**

|                 |                             | V <sub>CC</sub> | T <sub>A</sub> = 25°C |     | SN54HC373 |     | SN74HC373 |     | UNIT |
|-----------------|-----------------------------|-----------------|-----------------------|-----|-----------|-----|-----------|-----|------|
|                 |                             |                 | MIN                   | MAX | MIN       | MAX | MIN       | MAX |      |
| t <sub>w</sub>  | Pulse duration, LE high     | 2 V             |                       | 80  |           | 120 |           | 100 | ns   |
|                 |                             | 4.5 V           |                       | 16  |           | 24  |           | 20  |      |
|                 |                             | 6 V             |                       | 14  |           | 20  |           | 17  |      |
| t <sub>su</sub> | Setup time, data before LE↓ | 2 V             |                       | 50  |           | 75  |           | 63  | ns   |
|                 |                             | 4.5 V           |                       | 10  |           | 15  |           | 13  |      |
|                 |                             | 6 V             |                       | 9   |           | 13  |           | 11  |      |
| t <sub>h</sub>  | Hold time, data after LE↓   | 2 V             |                       | 20  |           | 26  |           | 24  | ns   |
|                 |                             | 4.5 V           |                       | 10  |           | 13  |           | 12  |      |
|                 |                             | 6 V             |                       | 10  |           | 13  |           | 12  |      |



**SN54HC373, SN74HC373**  
**OCTAL TRANSPARENT D-TYPE LATCHES**  
**WITH 3-STATE OUTPUTS**

SCLS140B – DECEMBER 1982 – REVISED MAY 1997

switching characteristics over recommended operating free-air temperature range,  $C_L = 50$  pF (unless otherwise noted) (see Figure 1)

| PARAMETER        | FROM (INPUT)    | TO (OUTPUT) | V <sub>CC</sub> | T <sub>A</sub> = 25°C |     |     | SN54HC373 |     | SN74HC373 |     | UNIT |
|------------------|-----------------|-------------|-----------------|-----------------------|-----|-----|-----------|-----|-----------|-----|------|
|                  |                 |             |                 | MIN                   | TYP | MAX | MIN       | MAX | MIN       | MAX |      |
| t <sub>pd</sub>  | D               | Q           | 2 V             |                       | 58  | 150 |           | 225 |           | 190 | ns   |
|                  |                 |             | 4.5 V           |                       | 15  | 30  |           | 45  |           | 38  |      |
|                  |                 |             | 6 V             |                       | 13  | 26  |           | 38  |           | 32  |      |
|                  | LE              | Any Q       | 2 V             |                       | 73  | 175 |           | 265 |           | 220 |      |
|                  |                 |             | 4.5 V           |                       | 18  | 35  |           | 53  |           | 44  |      |
|                  |                 |             | 6 V             |                       | 15  | 30  |           | 45  |           | 38  |      |
| t <sub>en</sub>  | $\overline{OE}$ | Any Q       | 2 V             |                       | 65  | 150 |           | 225 |           | 190 | ns   |
|                  |                 |             | 4.5 V           |                       | 17  | 30  |           | 45  |           | 38  |      |
|                  |                 |             | 6 V             |                       | 14  | 26  |           | 38  |           | 32  |      |
| t <sub>dis</sub> | $\overline{OE}$ | Any Q       | 2 V             |                       | 50  | 150 |           | 225 |           | 190 | ns   |
|                  |                 |             | 4.5 V           |                       | 15  | 30  |           | 45  |           | 38  |      |
|                  |                 |             | 6 V             |                       | 13  | 26  |           | 38  |           | 32  |      |
| t <sub>t</sub>   |                 | Any Q       | 2 V             |                       | 28  | 60  |           | 90  |           | 75  | ns   |
|                  |                 |             | 4.5 V           |                       | 8   | 12  |           | 18  |           | 15  |      |
|                  |                 |             | 6 V             |                       | 6   | 10  |           | 15  |           | 13  |      |

switching characteristics over recommended operating free-air temperature range,  $C_L = 150$  pF (unless otherwise noted) (see Figure 1)

| PARAMETER       | FROM (INPUT)    | TO (OUTPUT) | V <sub>CC</sub> | T <sub>A</sub> = 25°C |     |     | SN54HC373 |     | SN74HC373 |     | UNIT |
|-----------------|-----------------|-------------|-----------------|-----------------------|-----|-----|-----------|-----|-----------|-----|------|
|                 |                 |             |                 | MIN                   | TYP | MAX | MIN       | MAX | MIN       | MAX |      |
| t <sub>pd</sub> | D               | Q           | 2 V             |                       | 82  | 200 |           | 300 |           | 250 | ns   |
|                 |                 |             | 4.5 V           |                       | 22  | 40  |           | 60  |           | 50  |      |
|                 |                 |             | 6 V             |                       | 19  | 34  |           | 51  |           | 43  |      |
|                 | LE              | Any Q       | 2 V             |                       | 100 | 225 |           | 335 |           | 285 |      |
|                 |                 |             | 4.5 V           |                       | 24  | 45  |           | 67  |           | 57  |      |
|                 |                 |             | 6 V             |                       | 20  | 38  |           | 57  |           | 48  |      |
| t <sub>en</sub> | $\overline{OE}$ | Any Q       | 2 V             |                       | 90  | 200 |           | 300 |           | 250 | ns   |
|                 |                 |             | 4.5 V           |                       | 23  | 40  |           | 60  |           | 50  |      |
|                 |                 |             | 6 V             |                       | 19  | 34  |           | 51  |           | 43  |      |
| t <sub>t</sub>  |                 | Any Q       | 2 V             |                       | 45  | 210 |           | 315 |           | 265 | ns   |
|                 |                 |             | 4.5 V           |                       | 17  | 42  |           | 63  |           | 53  |      |
|                 |                 |             | 6 V             |                       | 13  | 36  |           | 53  |           | 45  |      |

operating characteristics, T<sub>A</sub> = 25°C

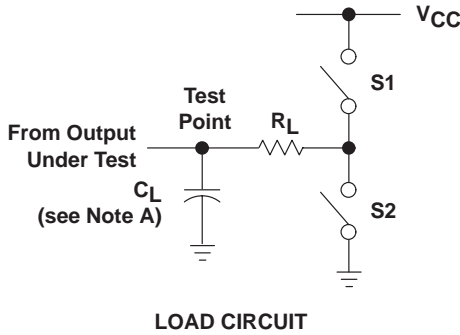
| PARAMETER   | TEST CONDITIONS | TYP | UNIT |
|---|-----------------|-----|------|
| C <sub>pd</sub> Power dissipation capacitance per latch | No load         | 100 | pF   |



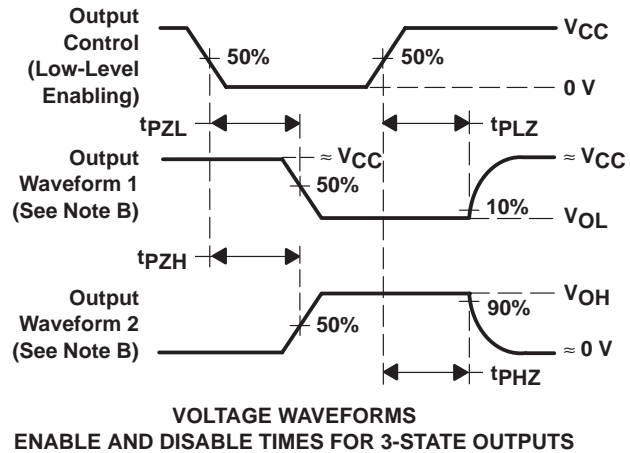
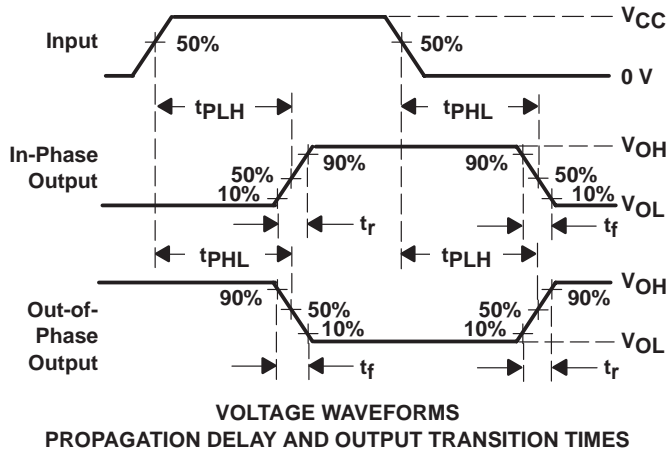
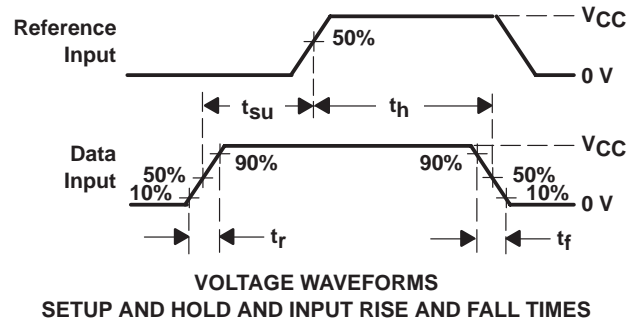
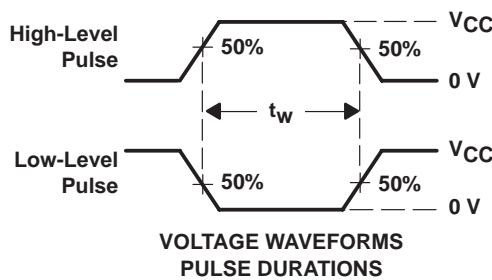
# SN54HC373, SN74HC373 OCTAL TRANSPARENT D-TYPE LATCHES WITH 3-STATE OUTPUTS

SCLS140B – DECEMBER 1982 – REVISED MAY 1997

## PARAMETER MEASUREMENT INFORMATION



| PARAMETER         | $R_L$        | $C_L$                 | S1     | S2     |
|-------------------|--------------|-----------------------|--------|--------|
| $t_{en}$          | 1 k $\Omega$ | 50 pF<br>or<br>150 pF | Open   | Closed |
|                   |              |                       | Closed | Open   |
| $t_{dis}$         | 1 k $\Omega$ | 50 pF                 | Open   | Closed |
|                   |              |                       | Closed | Open   |
| $t_{pd}$ or $t_t$ | —            | 50 pF<br>or<br>150 pF | Open   | Open   |



- NOTES: A.  $C_L$  includes probe and test-fixture capacitance.  
 B. Waveform 1 is for an output with internal conditions such that the output is low except when disabled by the output control. Waveform 2 is for an output with internal conditions such that the output is high except when disabled by the output control.  
 C. Phase relationships between waveforms were chosen arbitrarily. All input pulses are supplied by generators having the following characteristics:  $PRR \leq 1$  MHz,  $Z_O = 50 \Omega$ ,  $t_r = 6$  ns,  $t_f = 6$  ns.  
 D. The outputs are measured one at a time with one input transition per measurement.  
 E.  $t_{PLZ}$  and  $t_{PHZ}$  are the same as  $t_{dis}$ .  
 F.  $t_{PZL}$  and  $t_{PZH}$  are the same as  $t_{en}$ .  
 G.  $t_{PLH}$  and  $t_{PHL}$  are the same as  $t_{pd}$ .

Figure 1. Load Circuit and Voltage Waveforms

## IMPORTANT NOTICE

Texas Instruments and its subsidiaries (TI) reserve the right to make changes to their products or to discontinue any product or service without notice, and advise customers to obtain the latest version of relevant information to verify, before placing orders, that information being relied on is current and complete. All products are sold subject to the terms and conditions of sale supplied at the time of order acknowledgement, including those pertaining to warranty, patent infringement, and limitation of liability.

TI warrants performance of its semiconductor products to the specifications applicable at the time of sale in accordance with TI's standard warranty. Testing and other quality control techniques are utilized to the extent TI deems necessary to support this warranty. Specific testing of all parameters of each device is not necessarily performed, except those mandated by government requirements.

CERTAIN APPLICATIONS USING SEMICONDUCTOR PRODUCTS MAY INVOLVE POTENTIAL RISKS OF DEATH, PERSONAL INJURY, OR SEVERE PROPERTY OR ENVIRONMENTAL DAMAGE ("CRITICAL APPLICATIONS"). TI SEMICONDUCTOR PRODUCTS ARE NOT DESIGNED, AUTHORIZED, OR WARRANTED TO BE SUITABLE FOR USE IN LIFE-SUPPORT DEVICES OR SYSTEMS OR OTHER CRITICAL APPLICATIONS. INCLUSION OF TI PRODUCTS IN SUCH APPLICATIONS IS UNDERSTOOD TO BE FULLY AT THE CUSTOMER'S RISK.

In order to minimize risks associated with the customer's applications, adequate design and operating safeguards must be provided by the customer to minimize inherent or procedural hazards.

TI assumes no liability for applications assistance or customer product design. TI does not warrant or represent that any license, either express or implied, is granted under any patent right, copyright, mask work right, or other intellectual property right of TI covering or relating to any combination, machine, or process in which such semiconductor products or services might be or are used. TI's publication of information regarding any third party's products or services does not constitute TI's approval, warranty or endorsement thereof.